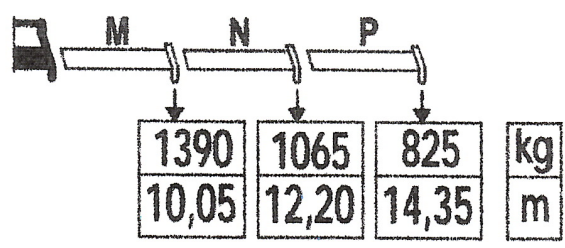
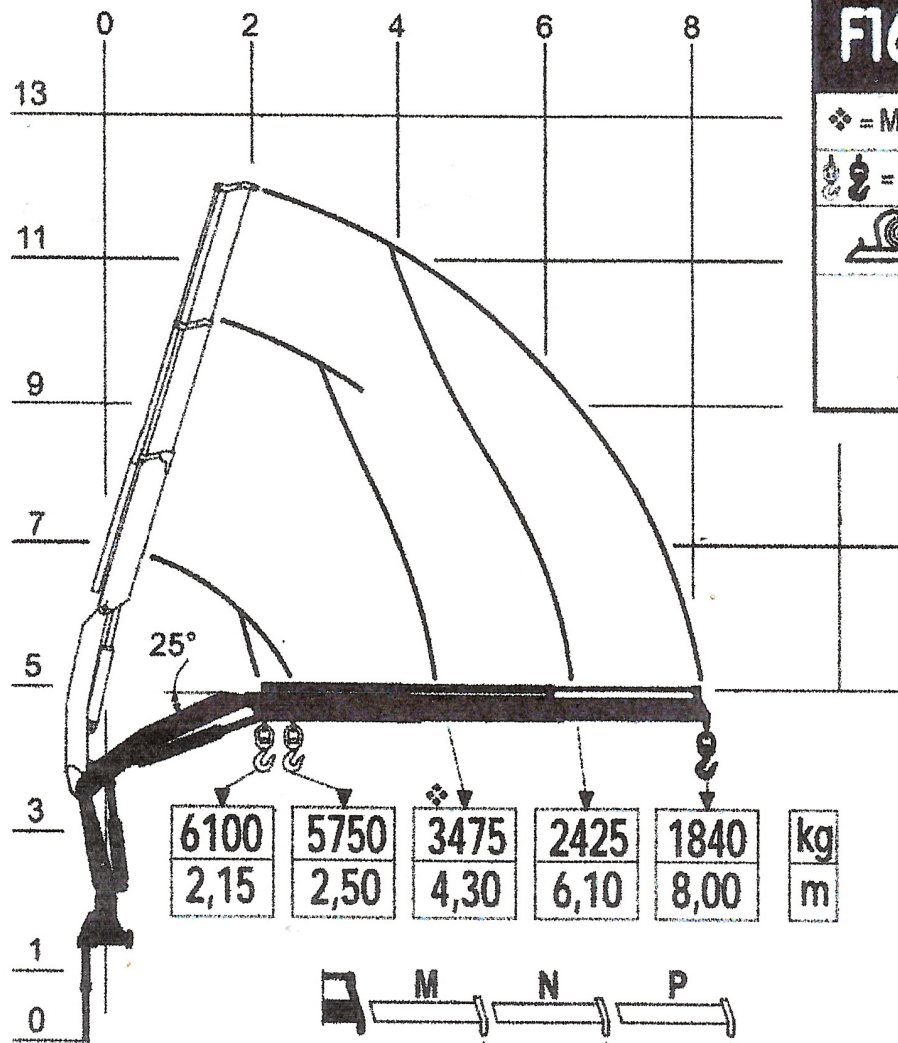


FASSI

F165A.0.22

❖ = Mmax 147 kNm

⚙ = Pmax 6100 kg



kg M (94) N (81) P (63)

DE 10199